



KEITH
KEITH BIKE since 2000

BUILD A BIKE

At Keith Bike, we are proud to offer you more than one thousand different combinations for our complete bikes. Stay tuned for our complete bike catalog and online ordering system coming real soon. Remember to visit our website at "www.keithbike.com" for more details.

KEITH

Group Sets from **SHIMANO**



Keith Bike is pleased to announce sponsorship of Greek track cyclist, Christos Volikakis, from 2015-2016. Ranking at number 4 in UCI ranking for Keirin, and most recently finished 3rd in the London UCI Track Cycling World Cup, Christos has been one of the most successful riders in UCI speed disciplines. Previously represented Greece at the 2008 Beijing and 2012 London Olympics, Christos certainly look forward to be a strong force once again at the Rio 2016 Olympics!

Brand
Representative



CHRISTOS VOLIKAKIS

UCI WORLD CHAMPIONSHIPS MEDALIST



Rio 2016™





**KURO SHI LU: TAIWAN'S FIRST
HAND-PAINT BICYCLE DESIGNER**

Chief designer Kuo-Shi developed expertise in spray painting static models at young age, later extending his artistry to painting cars, motorcycles, and yachts. Eventually Kuo Shi developed a passion in bikes and became 100% committed in crafting premium-grade bicycles. His knowledge and professionalism extends to expertise in bicycle structure, ergonomics, and visual artistry.



Designed with sheer
beauty and passion, every
Keith Bike is engineered and
coated with the finest precision.
Most importantly, we love what we do.

Keith

PHANTOM^{DISC} DIRECT MOUNT

SPECIFICATIONS

Frame: Road 700C

Material: MONOCOQUE carbon T800 HM

Headset: 1-1/8, 1-1/2

Fork: Carbon T800 HM 1-1/8, Disc

Sizes: XS430, S460, M490, L520,

XL560, XXL580 (C to T)

Weight: M=1004 +/- 20g

BB: 86

COLORS

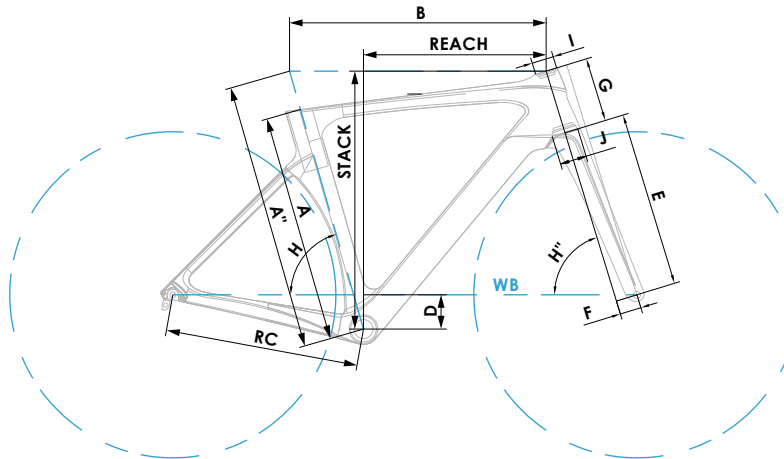


www.keithbike.com

NEW

NEW Release 2016 KEITH'S

PHANTOM



A	Seat tube length (C-T)
B	Top tube length
RC	Chainstay length
D	Bottom bracket drop
E	Fork length
F	Fork offset
G	Head tube length
H	Seat tube angle
H''	Head tube angle
I	Upper head tube internal diameter
J	Lower head tube internal diameter
WB	Wheelbase

SIZE	A	A''	B	RC	D	E	F	G	H	H''	I	J	WB	STACK	REACH
XS	430	534.5	510	407	68	370	52	120	73.5°	70.5°	Ø48/Ø42	Ø56/Ø52	972	512.5	358.2
S	460	545.1	525	407	68	370	52	125	73.5°	72°	Ø48/Ø42	Ø56/Ø52	973.9	522.7	370.2
M	490	560.9	540	407	68	370	45	135	73.5°	73°	Ø48/Ø42	Ø56/Ø52	972.5	537.8	380.7
L	520	582.6	560	407	68	370	45	155	73.5°	73.5°	Ø48/Ø42	Ø56/Ø52	988	558.6	394.5
XL	550	604.2	580	407	68	370	45	175	73°	73.5°	Ø48/Ø42	Ø56/Ø52	1002.6	577.8	403.4
XXL	580	629.2	600	407	68	370	45	200	73°	73.5°	Ø48/Ø42	Ø56/Ø52	1022.3	601.8	416

SIZE UNIT: mm

NEW

PALADIN *DISC BRAKE ROAD BIKE*

THE NEW 2016 **CLASSIC** COATING

SPECIFICATIONS

Frame: Road 700C

Material: MONOCOQUE carbon T800 HM

Headset: 1-1/8, 1-1/2

Fork: Carbon T800 HM 1-1/8, Disc

Sizes: S440, M490, L520, XL560 (C to T)

Weight: M=1004 +/- 20g

BB: 86

COLORS





DISC BRAKE ROAD BIKE **PALADIN**
THE NEW 2016 STANDARD COATING

SPECIFICATIONS

Frame: Road 700C
Material: MONOCOQUE carbon T800 HM
Headset: 1-1/8, 1-1/2
Fork: Carbon T800 HM 1-1/8, Disc
Sizes: S440, M490, L520, XL560 (C to T)
Weight: M=1004 +/- 20g
BB: 86

COLORS



Rotary 旋

FLAGSHIP COATING

SPECIFICATIONS

Frame: Road 700C

Material: MONOCOQUE carbon T800 HM

Headset: 1-1/8, 1-1/2

Fork: Carbon 1-1/8 Carbon End

Sizes: S440, M490, L520, XL560 (C to T)

Weight: S=968 +/- 20g

BB: 86

COLORS





Rotary

CHEETAH COATING

SPECIFICATIONS

Frame: Road 700C
Material: MONOCOQUE carbon T800 HM
Headset: 1-1/8, 1-1/2
Fork: Carbon 1-1/8 Carbon End
Sizes: S440, M490, L520, XL560 (C to T)
Weight: S=968 +/- 20g
BB: 86

COLORS



Rotary 旋

STANDARD COATING

SPECIFICATIONS

Frame: Road 700C

Material: MONOCOQUE carbon T800 HM

Headset: 1-1/8, 1-1/2

Fork: Carbon 1-1/8 Carbon End

Sizes: S440, M490, L520, XL560 (C to T)

Weight: S=968 +/- 20g

BB: 86

COLORS





Rotary^{Tr}

UCI KMP TEAM COATING

SPECIFICATIONS

Frame: Road 700C
Material: MONOCOQUE carbon T800 HM
Headset: 1-1/8, 1-1/2
Fork: Carbon 1-1/8 Carbon End
Sizes: XS461, S481, M502, L522, XL543
Weight: S=1420 +/- 20g
BB: 30

COLORS



SHADOW

ISP

SPECIFICATIONS

Frame: Road 700C

Material: MONOCOQUE carbon T800 HM

Headset: 1-1/8, 1-1/2

Fork: Carbon 1-1/8 1-1/2 Carbon End

Sizes: XS650, S680, M720, L760, XL800(C to T)

Weight: S=930g

BB: 86

Shift Lever / Di2

COLORS



2012 IF DESIGN AWARD "BEST DESIGN OF THE YEAR"
2012 ROC FINE MANUFACTURERS GOLD AWARD





TAIWAN
EXCELLENCE 2012



2012 IF DESIGN AWARD "BEST DESIGN OF THE YEAR"

2012 ROC FINE MANUFACTURERS GOLD AWARD



SHADOW **SSP**

SPECIFICATIONS

Frame: Road 700C
Material: MONOCOQUE carbon T800 HM
Headset: 1-1/8, 1-1/2
Fork: Carbon 1-1/8 1-1/2 Carbon End
Sizes: XS480, S510, M530, L550,
XL580, XXL610 (C to T)
Weight: S=1052 +/-30g
BB: 68 / 30 / 86
Shift Lever / Di2

COLORS



Monster

M.275

THE NEW 2016 GRADUAL COATING

SPECIFICATIONS

Frame: MTB Hardtail 275"

Material: MONOCOQUE carbon T800 HM

Headset: 1-1/8, 1-1/2

Sizes: S400, M440, L490 (C to T)

Weight: M=1017+/- 30g

BB: 92

COLORS



2012 ROC FINE MANUFACTURERS GOLD AWARD





Monster

M.275

METALLIC & VIBRANT COATING

SPECIFICATIONS

Frame: MTB Hardtail 275"
Material: MONOCOQUE carbon T800 HM
Headset: 1-1/8, 1-1/2
Sizes: S400, M440, L490 (C to T)
Weight: M=1017+/- 30g
BB: 92

COLORS



2012 ROC FINE MANUFACTURERS GOLD AWARD

Monster

M.29

THE NEW 2016 GRADUAL COATING

SPECIFICATIONS

Frame: MTB Hardtail 29"

Material: MONOCOQUE carbon T800 HM

Headset: 1-1/8, 1-1/2

Sizes: S420, M470, L510(C to T)

Weight: S = 1055+/- 50g

BB: 92

Axle: 12x142(mm)

COLORS



2012 ROC FINE MANUFACTURERS GOLD AWARD





Monster **M.29**

METALLIC & VIBRANT COATING

SPECIFICATIONS

Frame: MTB Hardtail 29"
Material: MONOCOQUE carbon T800 HM
Headset: 1-1/8, 1-1/2
Sizes: S420, M470, L510(C to T)
Weight: S = 1055+/- 50g
BB: 92
Axle: 12x142(mm)

COLORS



2012 ROC FINE MANUFACTURERS GOLD AWARD



BAR - M.PRO

MTB BAR
Material: 3K carbon
Diameter: 31.8MM.
Rise: 30mm.
Sweep: 9°
Width : 660 / 680 / 700 / 720(C-C)
Weight : 150g



BAR - EVO

Road Bar
Material : 3K carbon
Diameter : 31.8MM
Drop: 125mm(C-C)
Reach : 80mm (C-C)
Width : 430 / 450 (C-C)
Weight : 181g / 183g



BAR - POD

Road Bar
Material : 3K carbon
Diameter : 31.8MM
Drop: 125mm(C-C)
Reach : 80mm (C-C)
Width : 420 / 440 (C-C)
Weight : 199g / 202g



BAR -TT

Road TT Bar
Material : 3K carbon
Bar Bore : 31.8mm
Width : 400 (C-C)
Stem : 80 / 90 / 100
End Bar : 325 / 350 / 365
Weight : 388g / 394g / 398g



BAR - INTEGRATED EVO

Road Bar
Material : 3K carbon
Diameter : 31.8mm
Angle : 13
Drop: 125mm(C-C)
Reach : 80mm (C-C)
Width : 420 (STEM: 90, 100, 110) /440 (STEM: 100, 110, 120)
Weight : 335g



For: Monster 29, 27.5, 26 & Phoenix
SEAT POST - SSP-1 (Left)

Offset: 0mm
Material : 3K carbon
Tinbolts : M5 x 40 x 2PCS
Diameter : 31.6MM x 350L
Weight : 135g

SEAT POST - SSP-2 (Right)

Offset: 20mm
Material : 3K carbon
Tinbolts : M6 x 40 x 2PCS
Diameter : 31.6MM x 350L
Weight : 145g



R3

Road 700C Tubular or Clincher
Material: HM Carbon
Profile: 38mm
Rim inner width: 16mm
Rim outer width: 23mm
No. of spokes: F20 / R24
Weight: C: 1489gr / T: 1269gr

R5

Road 700C Tubular or Clincher
Material: HM Carbon
Profile: 50mm
Rim inner width: 16mm
Rim outer width: 23mm
No. of spokes: F20 / R24
Weight: C: 1569gr / T: 1379gr



R6

Road 700C Tubular or Clincher
Material: HM Carbon
Profile: 60mm
Rim inner width: 16mm
Rim outer width: 23mm
No. of spokes: F20 / R24
Weight: C: 1664gr / T: 1454gr

R8

Road 700C Tubular or Clincher
Material: HM Carbon
Profile: 88mm
Rim inner width: 16mm
Rim outer width: 23mm
No. of spokes: F20 / R24
Weight: C: 1864gr / T: 1664gr



K4

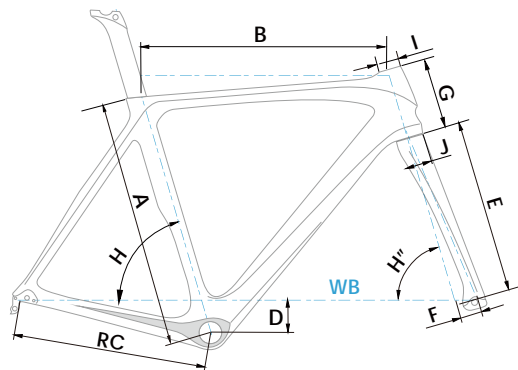
Road 700C Clincher
Profile: 45mm
Material: Nib Alloy
Hole: F/20 R24
Weight: 1645g

K3

Road 700C Clincher
Profile: 30mm
Material: Nib Alloy
Hole: F/20 R24
Weight: 1480g

K2

Road 700C Clincher
Profile: 20mm
Material: Nib Alloy
Hole: F/20 R24
Weight: 1320g

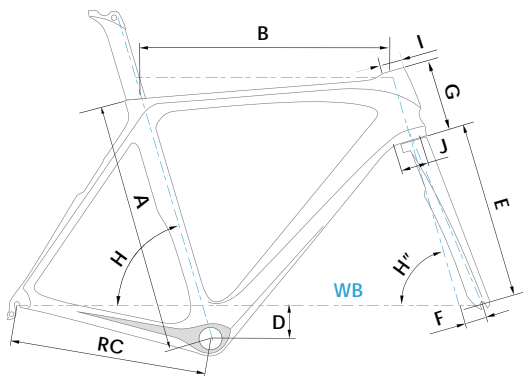


PALADIN

SIZE UNIT: mm

SIZE	A	B	RC	D	E	F	G	H	H"	I	J	WB
S	440	500	405	68	370	45	120	74.5°	72.0°	Ø46/Ø42	Ø56/Ø52	949.2
M	490	520	405	68	370	45	130	74.0°	72.5°	Ø46/Ø42	Ø56/Ø52	960.2
L	520	545	408	72	370	45	150	73.5°	73.5°	Ø46/Ø42	Ø56/Ø52	972.2
XL	560	575	408	72	370	45	175	73.0°	74.0°	Ø46/Ø42	Ø56/Ø52	991.7

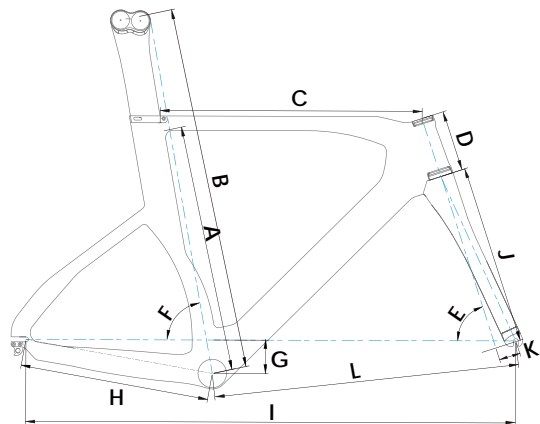
A	Seat tube length (C-T)	G	Head tube length
B	Top tube length	H	Seat tube angle
RC	Chainstay length	H"	Head tube angle
D	Bottom bracket drop	I	Upper head tube internal diameter
E	Fork length	J	Lower head tube internal diameter
F	Fork offset	WB	Wheelbase



Rotary

SIZE UNIT: mm

SIZE	A	B	RC	D	E	F	G	H	H"	I	J	WB
S	440	500	405	68	370	45	120	74.5°	72.0°	Ø46/Ø42	Ø56/Ø52	949.2
M	490	520	405	68	370	45	130	74.0°	72.5°	Ø46/Ø42	Ø56/Ø52	960.2
L	520	545	408	72	370	45	150	73.5°	73.5°	Ø46/Ø42	Ø56/Ø52	972.2
XL	560	575	408	72	370	45	175	73.0°	74.0°	Ø46/Ø42	Ø56/Ø52	991.7

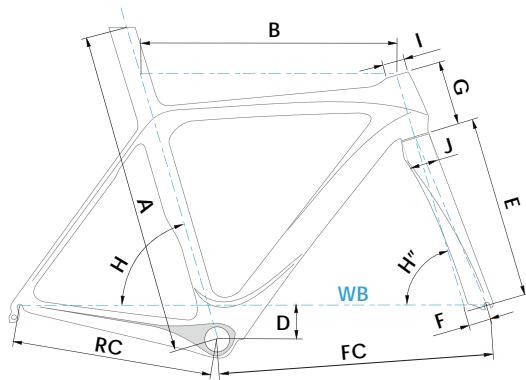


RotaryTr

SIZE UNIT: mm

SIZE	A	B	C	D	E	F	G	H	I	J	K	L
XS	461	679	497	83.5	71.6°	78°	68	385	958	368	43	581.4
S	481	710	516.3	103.9	71.8°	78°	68	385	978	368	43	601.2
M	502	741	535.5	124.2	72°	78°	68	385	998	368	43	620.8
L	522	722	554.8	144.2	72.2°	78°	68	385	1015	368	43	639.4
XL	543	803	574	164.8	72.4°	78°	68	385	1035	368	43	659.7

A	Seat tube length (C-T)	G	Bottom bracket drop
C	Top tube length	H	Chainstay length
D	Head tube length	I	Wheelbase
E	Head tube angle	J	Fork length
F	Seat tube angle	K	Fork offset



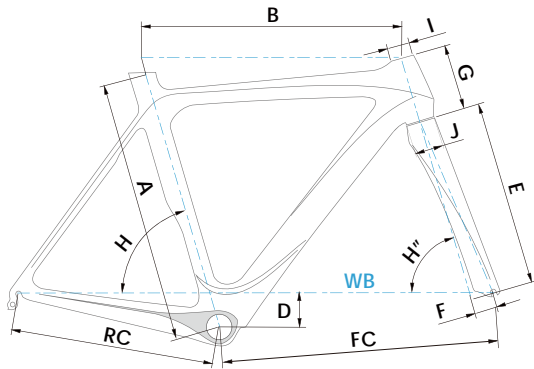
SHADOW_{ISP}

SIZE UNIT: mm

SIZE	A	B	RC	D	E	F	FC	G	H	H°	I	J	WB
* XS	650	517	405	68	371.5	45	575	120	74°	71°	Ø46	Ø56	970.4
S	680	500	407	68	371.5	45	549	110	74°	72°	Ø46	Ø56	946
M	720	520	407	68	371.5	45	551.6	130	74°	74°	Ø46	Ø56	948.6
L	760	540	407	68	371.5	45	585.3	150	73.5°	72.5°	Ø46	Ø56	982.6
XL	800	570	407	68	371.5	45	610.5	170	73.5°	72.5°	Ø46	Ø56	1008

* Special Edition

A	Seat tube length (C-T)	G	Head tube length
B	Top tube length	H	Seat tube angle
RC	Chainstay length	H°	Head tube angle
D	Bottom bracket drop	I	Upper head tube internal diameter
E	Fork length	J	Lower head tube internal diameter
F	Fork offset	WB	Wheelbase



SHADOW_{SSP}

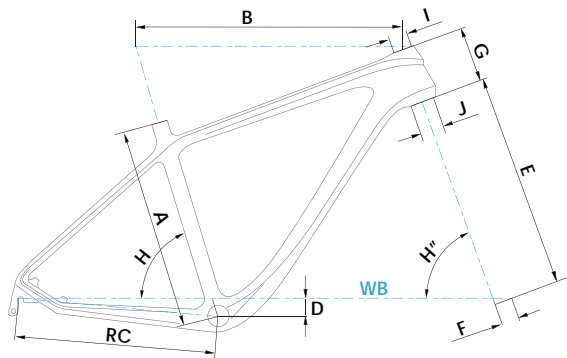
SIZE UNIT: mm

SIZE	A	B	RC	D	E	F	FC	G	H	H°	I	J	WB
* XS	480	517	405	68	371.5	45	575	120	74°	71°	Ø46	Ø56	970.4
S	510	500	407	68	371.5	45	549	110	74°	72°	Ø46	Ø56	946
M	530	520	407	68	371.5	45	551.6	130	74°	74°	Ø46	Ø56	948.6
L	550	540	407	68	371.5	45	585.3	150	73.5°	72.5°	Ø46	Ø56	982.6
XL	580	570	407	68	371.5	45	610.5	170	73.5°	72.5°	Ø46	Ø56	1008
XXL	610	600	405	68	371.5	45	624.8	190	73°	73.5°	Ø46	Ø56	1020.4

* Special Edition

Monster M.275

SIZE UNIT: mm

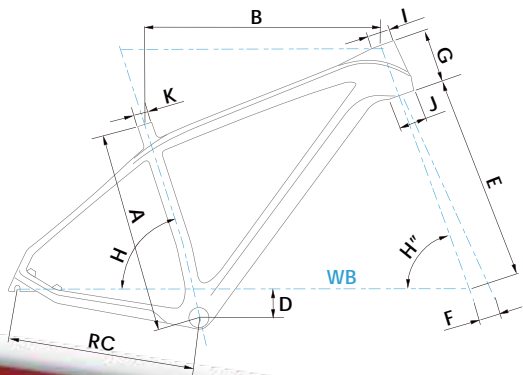


SIZE	A	B	RC	D	E	F	G	H	H°	I	J	WB
S	400	560	435	38	470	45	110	72.5°	70°	Ø46/Ø42	Ø58/Ø52	1053
M	440	580	435	38	470	45	120	73°	70°	Ø46/Ø42	Ø58/Ø52	1074
L	490	605	435	38	470	45	130	73°	70°	Ø46/Ø42	Ø58/Ø52	1099

A	Seat tube length (C-T)	G	Head tube length
B	Top tube length	H	Seat tube angle
RC	Chainstay length	H°	Head tube angle
D	Bottom bracket drop	I	Upper head tube internal diameter
E	Fork length	J	Lower head tube internal diameter
F	Fork offset	WB	Wheelbase

Monster M.29

SIZE UNIT: mm



SIZE	A	B	RC	D	E	F	G	H	H°	I	J	K	WB
S	420	575	429	72	495	45	105	74°	70°	Ø50	Ø62	Ø34.9	1082
M	470	595	429	70	495	45	110	73.5°	70.5°	Ø50	Ø62	Ø34.9	1093.4
L	510	615	429	70	495	45	115	73.5°	70.5°	Ø50	Ø62	Ø34.9	1112.5

A	Seat tube length (C-T)	G	Head tube length
B	Top tube length	H	Seat tube angle
RC	Chainstay length	H°	Head tube angle
D	Bottom bracket drop	I	Upper head tube internal diameter
E	Fork length	J	Lower head tube internal diameter
F	Fork offset	K	Seat tube outer diameter
		WB	Wheelbase

KEITH Production Development Roadmap

2016



ROAD BIKE FRAMES

High Performance Disc Brake Carbon Road Bike Frame.
Super -Light Carbon Road Bike Frame.
Hi-End Aluminum Disc Brake Road Bike Frame.
Hi-End Aluminum Road Bike Frame.
Road Complete Bike.



MOUNTAIN BIKE FRAMES

29" Carbon Mountain Bike Frame (12X142mm Thru Axle).
27.5" Carbon Mountain Bike Frame (12X142mm Thru Axle).
MTB Complete Bike.



OTHER BIKE FRAMES

High Performance Triathlon Carbon Frame.
Cyclocross Carbon Frame.



ACCESSORIES

25mm Width Carbon Wheel Set.
Tubeless Carbon Wheel Set.
New Carbon Handle Bar.
17 Degree Stem.

2017



ROAD BIKE FRAMES

New Road Bike Frame for 2017.



MOUNTAIN BIKE FRAMES

New 29" Carbon Mountain Bike Frame for 2017.
New 27.5" Carbon Mountain Bike Frame for 2017.



OTHER BIKE FRAMES

Electric Bike.
Track Bike Frame.



ACCESSORIES

Hill-Climbing Carbon Wheel Set.
New Integrated Carbon Handle Bar.
Multi-Fuction Handle Bar (For Cycle Computer, GPS, Cell Phone and Camera).



YOUR ONE AND ONLY

Customize your Keith Bike, you name it, we make it.



Customize Your Favorite
Keith Bike Now
www.keithbike.com



www.keithbike.com

Keith Bike International Co, LTD

OFFICE TEL: +886-2-28110439

FACTORY TEL: +886-3-8462898

SALES: sales@keithbike.com

TECHNICAL: kuoshi@keithbike.com

Distribution Partners

